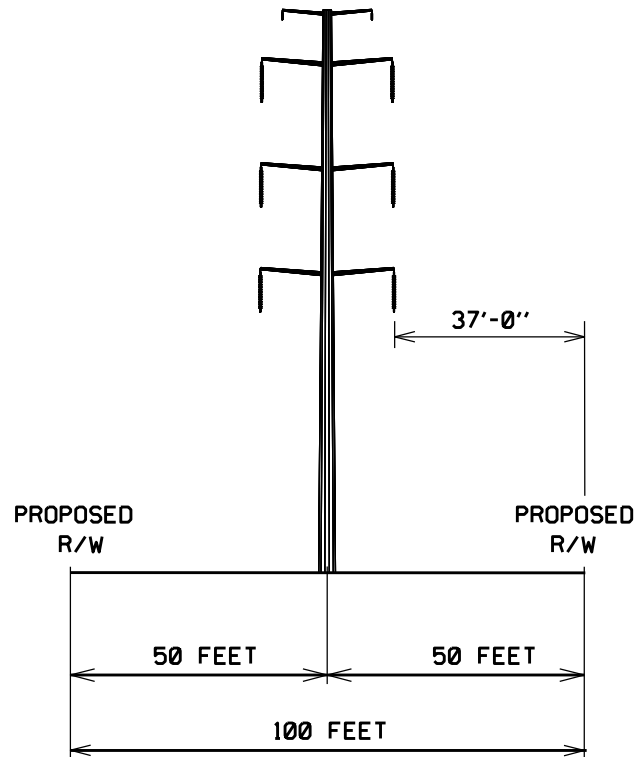


## POLAND ROAD TAP

PROPOSED  
230KV CIRCUIT  
(LINE \*.....)

PROPOSED  
230KV CIRCUIT  
(LINE \*2094)



PROPOSED CONFIGURATION

TYPICAL RIGHT OF WAY LOOKING TOWARD POLAND ROAD SUBSTATION

|                              |            |
|------------------------------|------------|
| TYPE OF STRUCTURE:           | STEEL POLE |
| FOUNDATION :                 | CONCRETE   |
| APPROXIMATE AVERAGE HEIGHT:  | 110 FEET   |
| WIDTH AT CROSSARM:           | 26 FEET    |
| WIDTH AT BASE:               | 4 FEET     |
| APPROX. AVERAGE SPAN LENGTH: | 605 FEET   |
| CONDUCTOR TYPE:              | ALUMINUM   |
| RIGHT OF WAY WIDTH:          | 100 FEET   |
| APPROXIMATE LENGTH OF LINE : | 3.92 MILES |